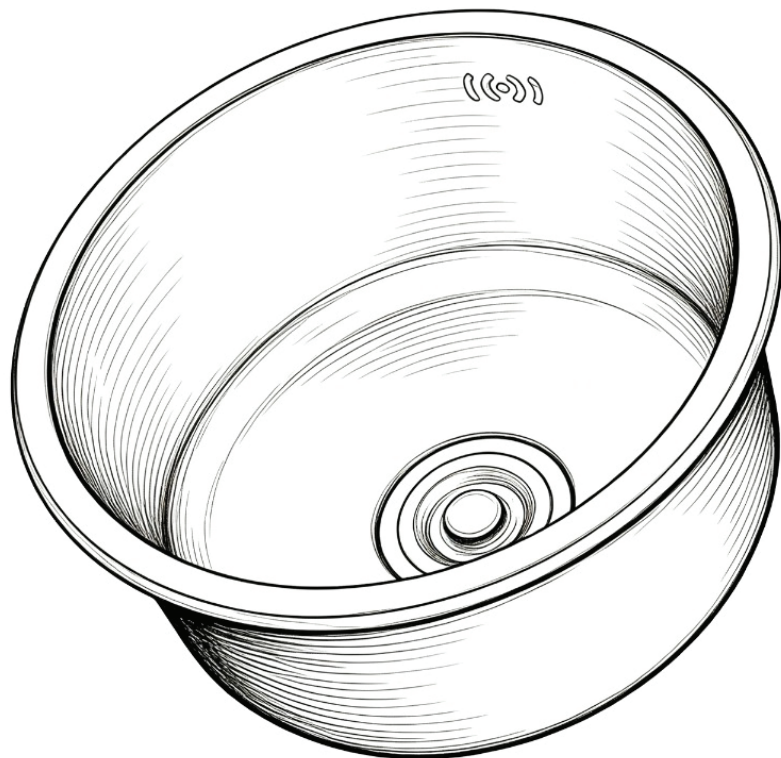


STAINLESS STEEL KITCHEN SINK

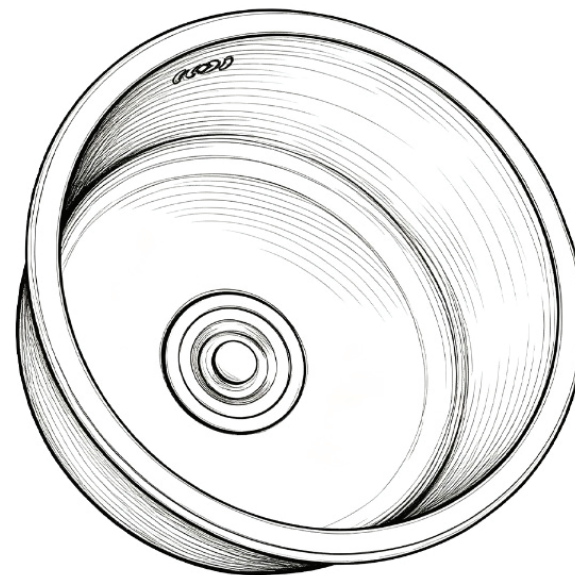


Installation Manual

- We hope you are satisfied with your purchase and we would love to hear about it.
- Please feel free to contact us if you need any assistance. We are glad to do our best to solve your problem and provide a solution to your satisfaction.

Product Introduction

Components Introduction



Product Parameters

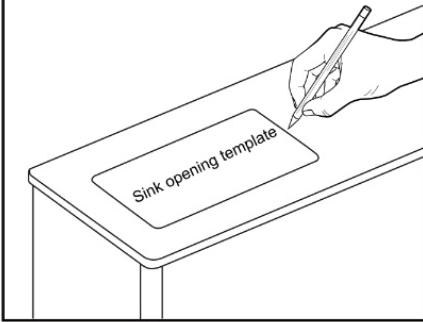
Product name: kitchen sink

Installation method: Top Mount, Flush Mount, or Under Mount

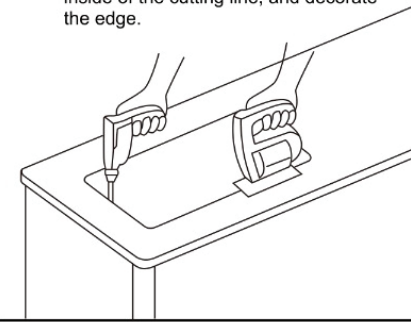
Main material: Stainless steel

Installation Steps

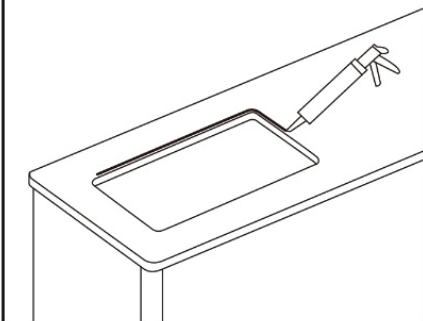
- 1** Put the template at the proper position on the table and draw the cutting line according to the template.



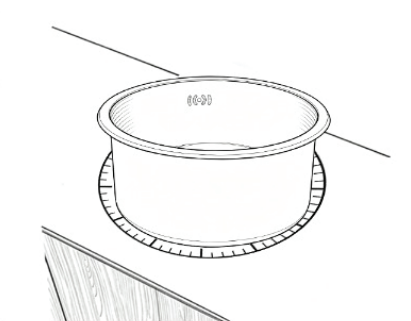
- 2** Drill a guide hole on the inside of the drawn cutting line, then cut off the opening part of the table along the inside of the cutting line, and decorate the edge.



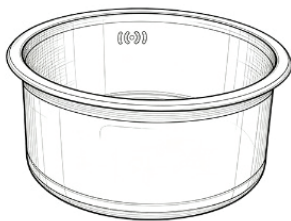
- 3** Fill glass glue at the cutting position of the table.



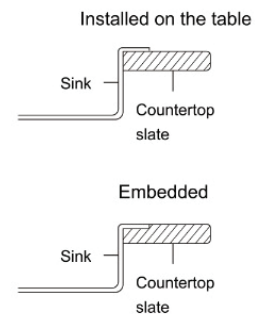
- 4** Slowly put the sink close to the front edge, cover it with glue and slowly lay it flat.



- 5** Before putting into the sink, the faucet and soap dispenser can be pre-installed according to the instructions of the faucet and soap dispenser.

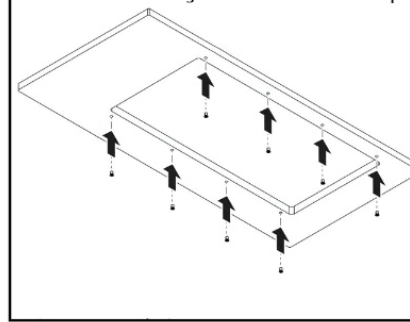


- 6** Two installation methods are available for reference.

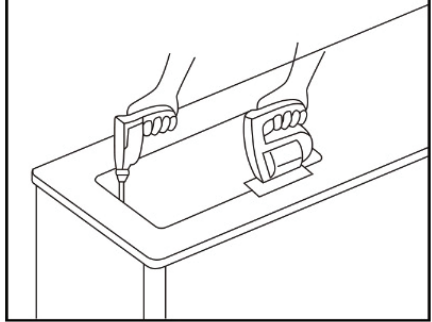


Installation Steps

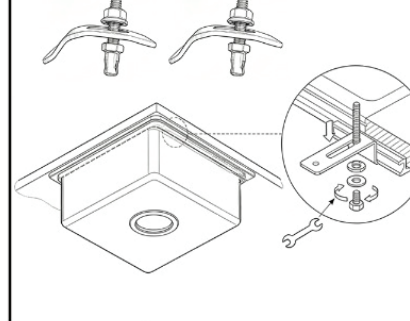
- 1** Invert the undermount sink and position it beneath the countertop. Trace the sink edge with a marker, then mark all drill hole locations for the mounting fasteners on the countertop.



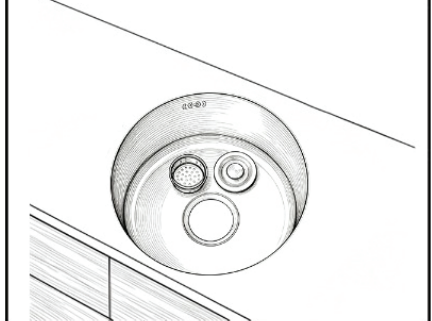
- 2** Inject the prepared adhesive evenly into the cleaned holes of the embedded parts, making sure to coat both the hole walls and the bottom.



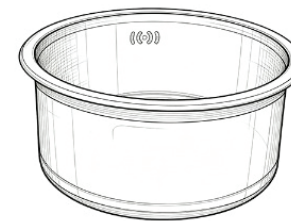
- 3** Use metal brackets to securely lock the rim of the stainless steel basin beneath the countertop.



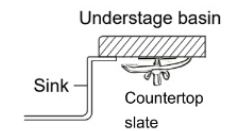
- 4** Once curing is complete, gently shake the embedded part to confirm that it is fully secured and not loose.



- 5** Before putting into the sink, the faucet and soap dispenser can be pre-installed according to the instructions of the faucet and soap dispenser.

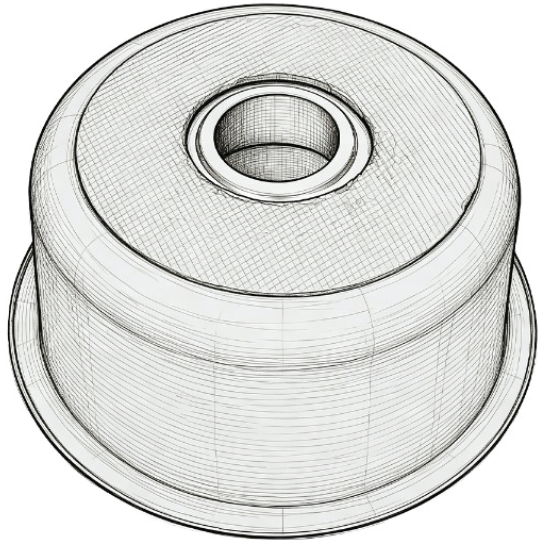


- 6** The undermount installation method is provided for your reference.



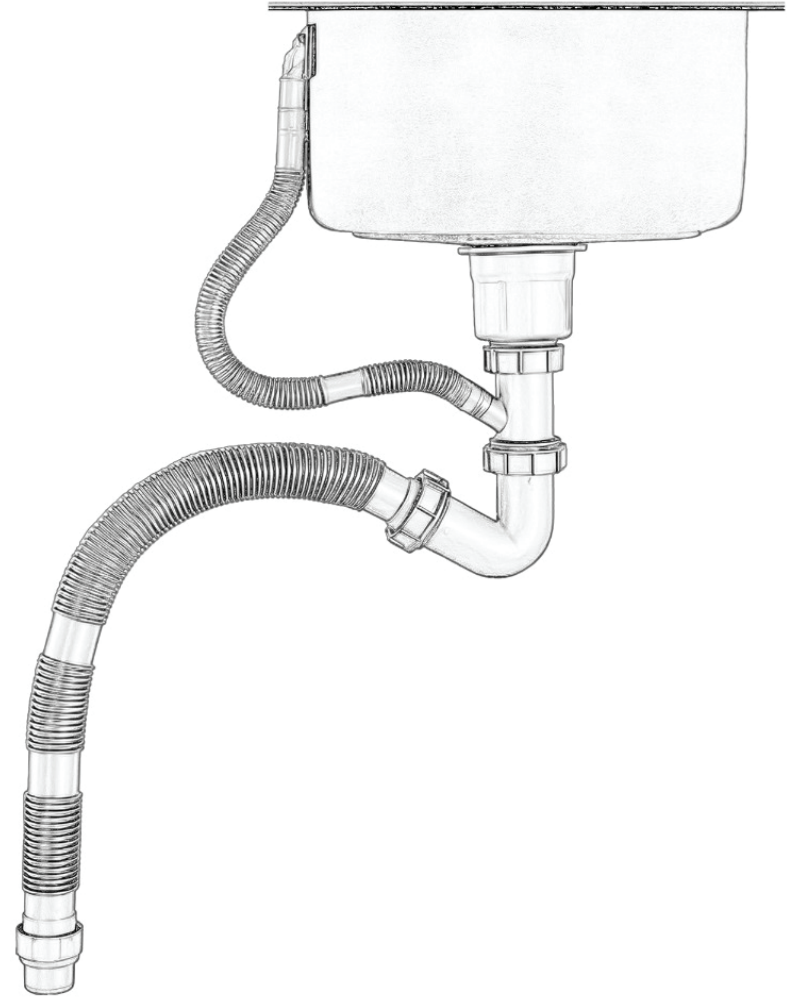
Installation Steps

- 1 After receiving the package, please check that all accessories are complete. Confirm no missing or damaged parts before installation.



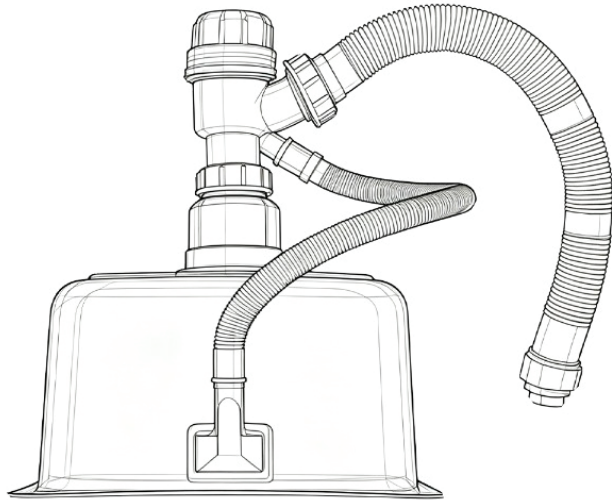
Installation Steps

- 2 Correct Installation Diagram: Overflow Hole Installation + Sink Bottom Drain Pipe Structure

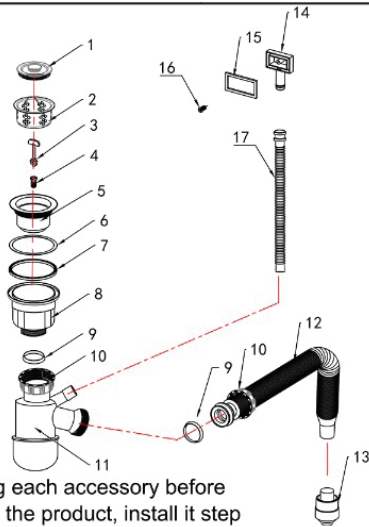


Installation Steps

- 3** Install the connecting hose and tighten the screws. Install the downpipe section as shown.



Product installation diagram



1. Stopper
2. Strainer Basket
3. Wrench Key
4. Screw
5. Stainless Steel Drain Cup
6. Upper Gasket
7. Lower Gasket
8. Plastic Drain Cup
9. Sealing Gasket
10. Large Nut
11. Anti-odor Assembly
12. Drain Pipe
13. Drain Outlet
14. Overflow Outlet
15. Overflow Gasket
16. Screw
17. Overflow Pipe

Checking each accessory before installing the product, install it step by step according to the installation diagram.

Precautions for use

Daily maintenance

- After each use, please clean the smart waterfall sink in time to avoid leaving stains that are difficult to remove.
- Regularly check the surface of the smart waterfall sink for scratches, wear and tear, and replace it in time if necessary.
- Avoid using hard brushes or sandpaper to clean the smart waterfall sink to avoid scratching the surface.
- When cleaning, try to use warm water and avoid using overheated or overcooled water to avoid affecting the service life of the smart waterfall sink.
- When storing dishes, avoid stacking dishes together to avoid scratching the surface.
- Wipe the surface with a soft cloth every week to avoid scratching the material with hard objects such as steel wool. , to prevent dust and stains from adhering.

Precautions

- Avoid pouring hot water (such as boiling water) as it may damage internal components or surface coatings.
- In hard water areas, it is recommended to descale regularly to prevent nozzle clogging (citric acid or special detergents can be used).
- Do not cut food in the smart waterfall sink as this may scratch its surface.
- Do not place acidic or alkaline foods on the dishwashing plate as this may corrode its surface.
- Do not hit the dishwashing plate hard to avoid breaking or damaging it.
- Empty the stored water when not in use for a long time to prevent bacterial growth or odor in the pipes.
- If there is water leakage, abnormal sound or abnormal display, stop using it immediately and contact after-sales.
- Do not disassemble the internal structure by yourself, which may affect the warranty or cause safety hazards.



MADE IN CHINA